



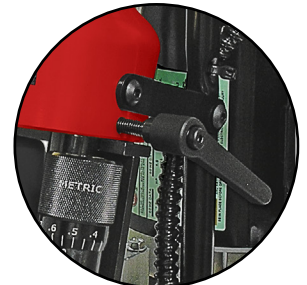
CUSTOM CRIMP™

Innovating SMART Hose Assembly Solutions Since 1979

D105M Service Hose Crimper



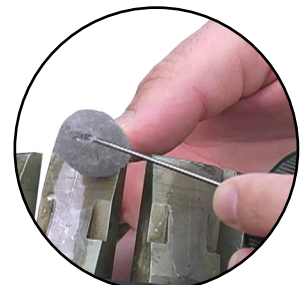
Accurate and Repeatable: Micro-Crimp Adjuster™ is fully adjustable to make precise and repeatable crimps.



Save Time: Adjustable retraction stop limits ram retraction.



Save Time: Removable coupling stop for multiple crimps of the same hose and fitting.



CRIMPX Die Lubricant Oil:

- To extend die life and performance.
- Easy to use and hands stay clean.

ENGINEERED TO ACCOMMODATE YOUR NEEDS

- Hose capacity up to 1" 2 wire and up to 3/4" 4 SP.
- Automatic stop switch shuts the pump off when the crimp cycle is complete.
- Removable pusher and inverted die position make accurate fitting positioning easy.
- Built-in Adjustable Retraction Stop limits ram retraction to only the amount required to remove the hose and coupling saving time on multiple crimps.
- Coupling Stop makes repetitive crimps faster by not having to visually align the fitting before each crimp.
- Base mounting holes allow the crimper to be bench or truck bed mounted if required.

DURABLE + RELIABLE DESIGN = PROFITABILITY

- 35 Tons of crimping force.
- Open design to provide excellent operator visibility.
- Complete range of dies and accessories available.



CUSTOM CRIMP™

Innovating SMART Hose Assembly Solutions Since 1979

D105M Service Hose Crimper



Metric Micromete
(Included) P/N:101587



Pneumatic Pendant Switch
(Included) P/N:101349



D165 Coupling Stop
(Included) P/N:100954



CRIMPX Die Lubricant: 4 oz
bottle oil with dauber cap
(Included) P/N:103886



Flexible 24" Work Lamp
(Optional) P/N:1668-02



Die Storage Shelf
(Optional) P/N:101431-Red



D-Series Drawer Assembly/Stand
(Optional) P/N:104650-Red



*Crimper shown mounted on
the Die Storage Drawer*

Optional Flexible 24"
Work Lamp

Powerful 35 Ton
Hydraulic Cylinder

Micrometer Style
Adjustment

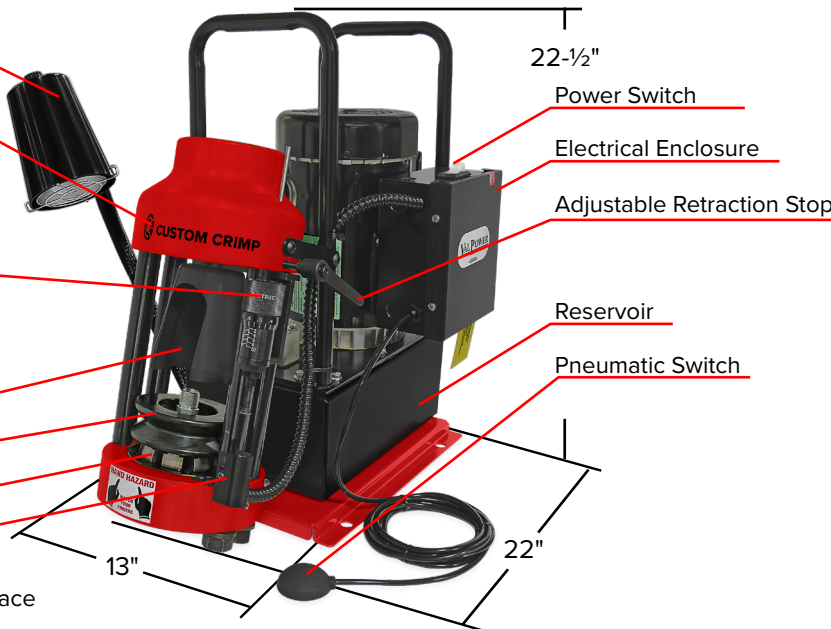
Removable Pusher

Compression Ring

D100 Die Series

Electronic Shut Off

Small Footprint for
minimum use of space



22-1/2"

Power Switch

Electrical Enclosure

Adjustable Retraction Stop

Reservoir

Pneumatic Switch

13"

22"

D105M Technical Specifications

Crimping Force: 35 Ton
Hydraulic Hose Capacity: 2 Wire = 1" 4 Spiral = 3/4"
Crimper Size: L: 22" x W: 13" x H: 22-1/2"
Crimper Weight: 114 lbs
Power: 1HP/110V/1Phase (Standard) 2HP/220V/1Phase (Optional)
Die series: D100
Micrometer style adjustment: Metric
Reservoir capacity: 1 US Gallon
Oil type: ISO 46 Hydraulic Oil

Crimper capacity is estimated based on typical 1-piece fitting. Actual results may vary depending on the fitting and hose manufacturer.

