



# CUSTOM CRIMP™

Innovating SMART Hose Assembly Solutions Since 1979

## D100S-T420 Portable Service Hose Crimper



### ENGINEERED TO ACCOMMODATE YOUR NEEDS

- Hose capacity up to 1" 2 wire and 3/4" 4SP.
- T420 micrometer is fully adjustable for a precise crimp.
- D100S-T420 Portable Crimper weighs only 48 lbs.
- Available ValPower® Hand Pump, Pneumatic Pump 10,000 psi or Multi-Electric Pump.
- Crimper position can be adjusted for optimum crimping position or dropped to vertical position for better balance when the crimper is being carried.
- Removable Pusher and 2 piece T420 rubber caged die set make accurate fitting positioning easy.
- Base mounting holes allow the crimper to be bench or truck bed mounted if required.

### DURABLE + RELIABLE DESIGN = PROFITABILITY

- 35 Tons of crimping force.
- Open design to provide excellent operator visibility.
- Complete range of dies and accessories available.



#### Light Weight Portable Unit:

Truly "portable" crimper can be carried to almost any location where service is required.

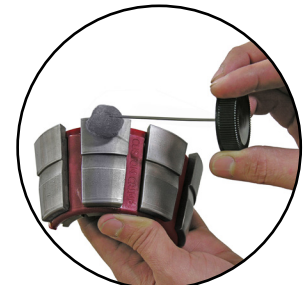


#### Accurate and Repeatable:

Micrometer with "Micro-Crimp Adjuster" is fully adjustable to make precise and repeatable crimps.



**LED Indicator Light:** Will turn on to indicate that the crimp is complete.



#### CRIMPX Die Lubricant:

- To extend die life and performance.
- Easy to use and hands stay clean.



# CUSTOM CRIMP™

Innovating SMART Hose Assembly Solutions Since 1979

## D100S-T420 Portable Service Hose Crimper



T420 Micrometer (Included) P/N:103085



T420/D Series Die Removal Magnet (Included) P/N:104679



CRIMPX Die Lubricant: 4 oz bottle oil with dauber cap (Included) P/N:103886



Die Storage Shelf (Optional) P/N:101431-Red



ValPower® Hand Pump 10,000 psi (Optional) P/N:VHP-10-25



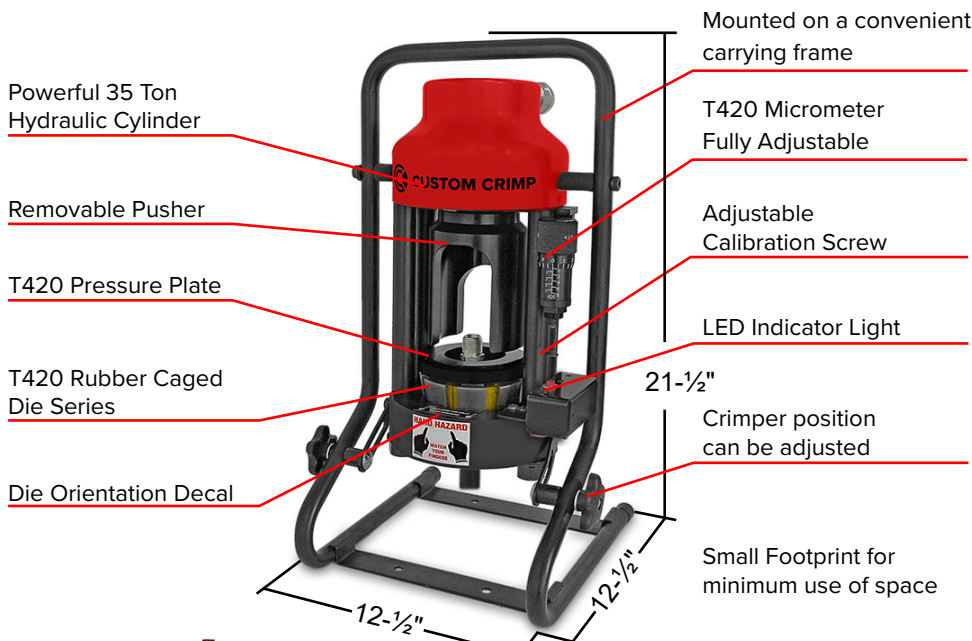
ValPower® Pneumatic Pump 10,000 psi (Optional) P/N:VAP-10-100



ValPower® Multi-Electric Pump (Optional)



Die Storage Drawer (Optional) P/N:104650-Red  
Accessories sold separately



D100S-T420 Technical Specifications	
Crimping force:	35 Ton
Hydraulic hose capacity:	2 Wire = 1" 4 Spiral = 3/4"
Crimper size:	L: 12-1/2" x W: 12-1/2" x H: 21-1/2"
Crimper weight:	48 lbs
Micrometer Style Adjustment:	T420
Die Series:	T420 Rubber Caged
Available ValPower® Pumps:	Hand Pump Pneumatic Pump Multi-Electric Pump (1HP/110V)

