

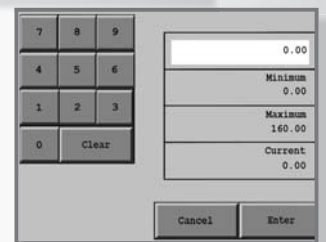
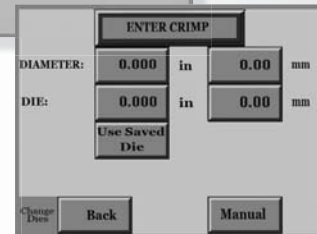
CC60 General Production Hose Crimper



The CC60 Series hose crimper with the Patented ACT™ Controller and 265 tons of crimping force has the capability to crimp up to 4" industrial hose.

UNIQUE USER FRIENDLY PATENTED ACT™ CONTROLLER

- Fully adjustable crimp to diameter.
- Production capabilities.
- Pressure Compensation uses pressure to eliminate "trial and error".
- Memory capacity for accurate repeatability.
- Automatically converts inch to mm and mm to inch so that no calculation is ever required.



Max Head Opening
W/O Dies



CC60 CRIMPER OPERATORS MANUAL WITH ACT™ CONTROLLER



SAFETY PRECAUTIONS



SAFETY PRECAUTIONS



- READ INSTRUCTIONS AND IDENTIFY ALL COMPONENT PARTS BEFORE USING CRIMPER.
- CRIMPER CC60 CAN PRODUCE 265 TONS OF CRIMPING FORCE.
- KEEP BOTH HANDS AWAY FROM PINCH POINTS.
- CONSULT HOSE AND FITTING MANUFACTURER FOR CORRECT MACHINE SETTINGS AND CRIMP MEASUREMENTS.
- ALWAYS WEAR EYE PROTECTION.

CC60 General Production Hose Crimper



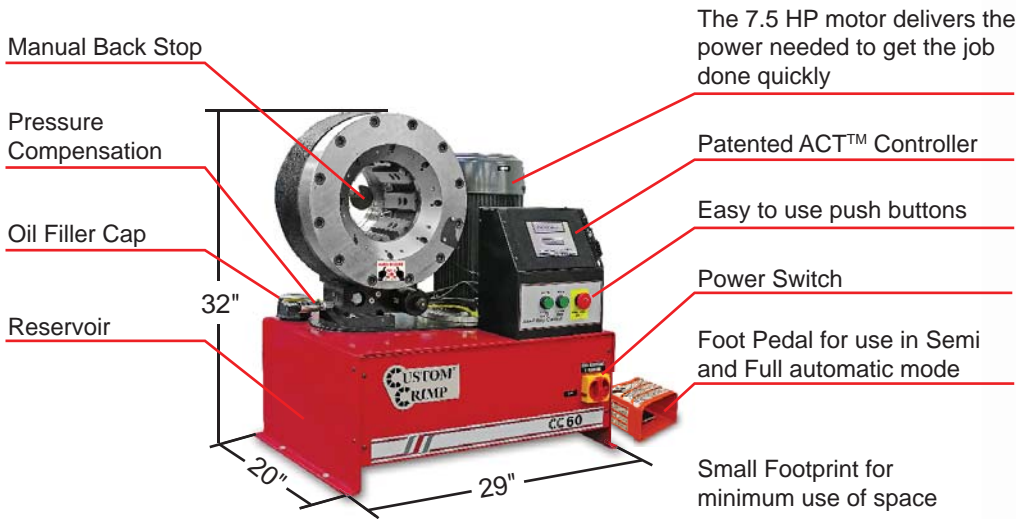
TABLE OF CONTENT

| | |
|--|----|
| SAFETY PRECAUTIONS----- | 2 |
| COMPONENT PARTS & TECHNICAL DATA----- | 4 |
| INITIAL SET UP & MAINTENANCE----- | 5 |
| AccuCrimp ACT™ CONTROL PANEL----- | 6 |
| AccuCrimp ACT™ CONTROL PANEL QUICK START----- | 7 |
| DIE SET UP AND INSTALLATION----- | 14 |
| HYDRAULIC DIE INSTALLATION----- | 15 |
| AccuStop™ COUPLING STOP----- | 16 |
| PLC RESET / RELAY REPLACEMENT----- | 17 |
| TROUBLESHOOTING----- | 18 |
| CC60 CRIMPER REPLACEMENT ACCESSORIES----- | 19 |
| COMPONENT PARTS BREAKDOWN----- | 20 |
| CC60 DIE PART IDENTIFICATION----- | 25 |
| CC60 PREVENTATIVE MAINTENANCE PACKAGE----- | 26 |
| CUSTOMCRIMP® "NO-NONSENSE" WARRANTY STATEMENT----- | 28 |
| CUSTOMCRIMP® CONTACT INFORMATION----- | 29 |

CC60 General Production Hose Crimper



COMPONENT PARTS & TECHNICAL DATA



| Technical Data |
|---|
| 265 Ton |
| Max 2SP: 2", 4SP: 2", 6SP: 1-½" |
| Max Industrial: 4" |
| L: 20" x W: 29" x H: 32" |
| Weight: 660 lbs |
| Power: 7.5HP / 230V / 3Phase (Standard) 7.5HP / 440V / 3Phase (Optional) 5HP / 230V / 1Phase (Optional) 1HP / 12VDC (Optional) Portable 1HP / 24VDC (Optional) Portable |
| Die series: 99S / 145S |
| Adjustability: Inch / Metric |
| Opening w/o dies: 182mm / 7.17" |
| Master die inside diameter: 145mm / 5.71" |
| Master die travel: 60mm / 2.4" |
| Reservoir capacity: 8 US Gallons |
| Oil type: ISO 46 Hydraulic Oil |

CC60 General Production Hose Crimper



INITIAL SET UP & MAINTENANCE

Do not lift the machine by the crimper head.
Lift with a fork lift under the tank.

Mount the crimper on a sturdy surface.

Check electrical circuit to be certain that it matches the crimper requirements shown on the tag attached to the crimper cord.

Electrical Requirements:

- 220 Volt 3 Phase Current (Standard)
- 440 Volt 3 Phase Current (Optional)

DO NOT RUN CRIMPER ON AN EXTENSION CORD.

Check to be certain that the motor rotates in the direction of the arrow shown on the motor housing. If motor rotation is opposite of the direction of the arrow, reverse any two hot wires in the electrical plug.
(NOTE: THIS IS APPLICABLE TO 3 PHASE CIRCUITS ONLY).

Damage to the pump can result if the motor does not rotate in the correct direction.

Check the oil level in the sight glass on the rear of the crimper. 8 U.S. gallons of ISO 46 hydraulic oil are required to completely refill the tank.

Oil can be drained from either of the two ports at the bottom of the tank.

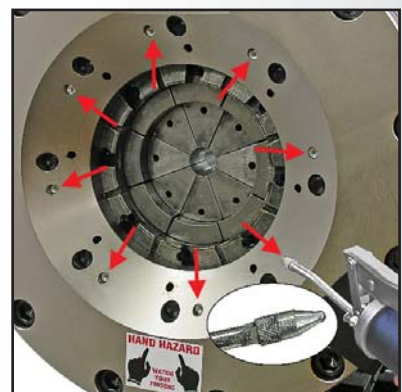
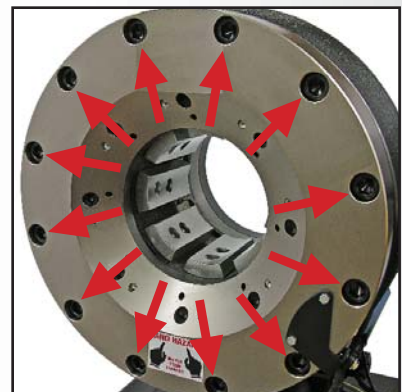
An additional oil cooler, while not normally required, can be plumbed into the two ports at the rear of the crimper.

Front Flange Bolts: Periodically, every 6-12 months depending upon usage, the front flange bolt torque should be checked. The correct torque is 332NM (245 Ft-Lbs).

Lubricate the crimping head after each 100 crimping cycles or at the start of each shift if the crimper is used in a production setting.

- Bring the master dies to the fully closed position and lubricate the die fingers through the 8 lubrication fittings in the front flange face.
- Bring the dies to the fully open position and lubricate all 8 fittings again.

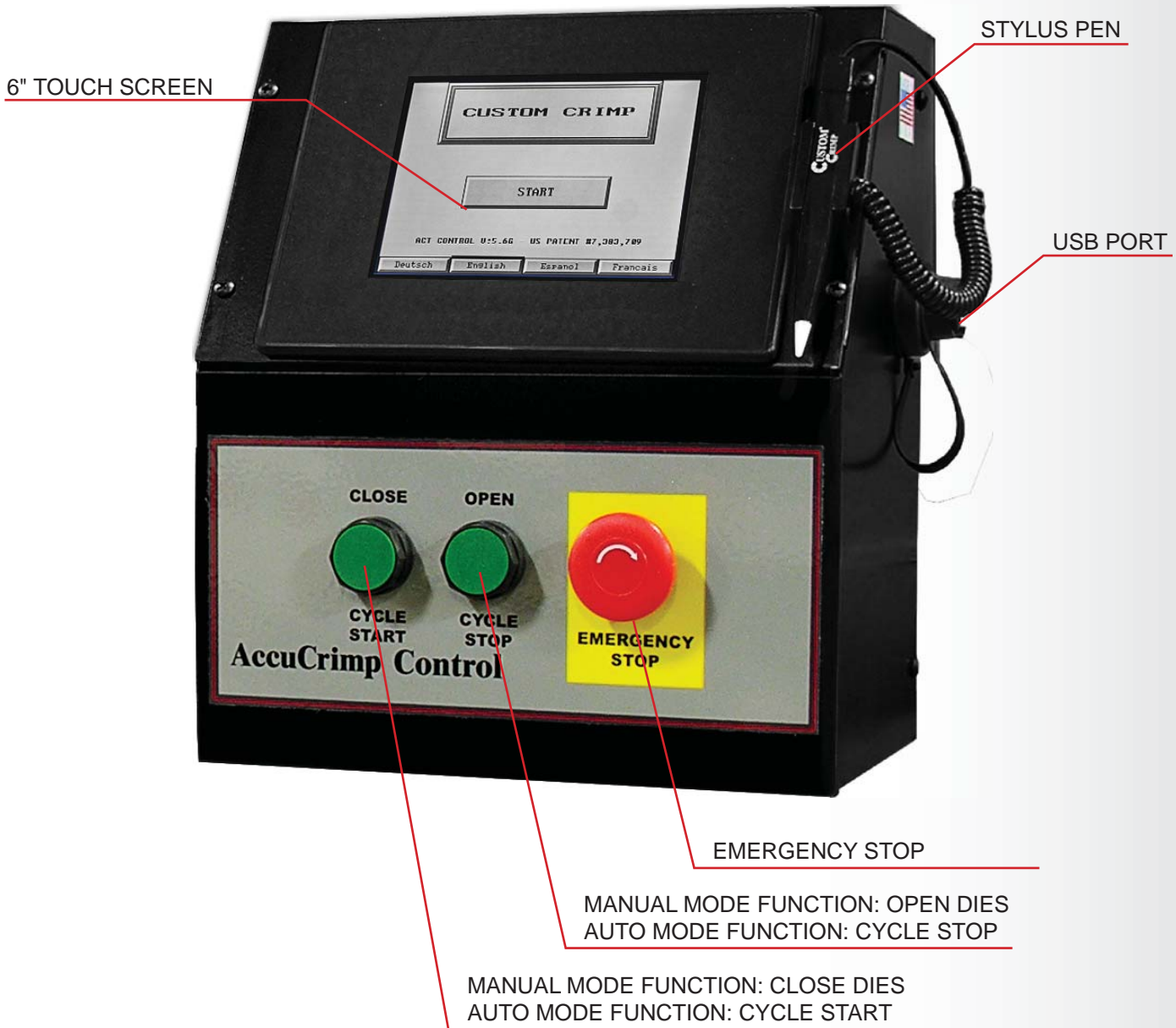
Use CRIMPX Die Lubricant Grease or a high quality moly-disulfide grease. Failure to do so may result in damage to the wearing surfaces.



CC60 General Production Hose Crimper



AccuCrimp ACT™ CONTROL PANEL



NOTE:

IF THE CRIMPER IS IN **MANUAL MODE**, THE GREEN OPEN/CLOSE BUTTONS WILL OPEN AND CLOSE THE CRIMPER HEAD.

IF THE CRIMPER IS IN **AUTO MODE**, THE BUTTONS FUNCTION AS CYCLE START AND CYCLE STOP BUTTONS.

IF THE CRIMPER IS IN **SEMI-AUTO MODE**, PRESSING THE FOOT SWITCH OR THE CLOSE BUTTON WILL CLOSE THE CRIMPER HEAD AND RELEASING WILL HALT THE CLOSING ACTION.

Products covered by all or some of these Patents:
US 7,383,709; US 8,230,714; EP 1,909,987 and Patents Pending.

CC60 General Production Hose Crimper



AccuCrimp ACT™ CONTROL PANEL QUICK START

While the ACT™ crimper has the ability to perform a number of fully automatic functions, manual operation is also possible. To make a manual crimp, two numbers are needed:

The closed diameter of the die (in either inches or mm).

The finished crimp diameter (in either in or mm)
That's all you need to know. ACT™ does the rest.

TO MAKE A MANUAL CRIMP:

- Press **START** Button.
- Select **CRIMP TO DIAMETER**.
- Enter the closed diameter of the die set in either in or mm and press **ENTER**. *Note: for a 25mm die, enter 2500. ACT™ will add the decimal point.*

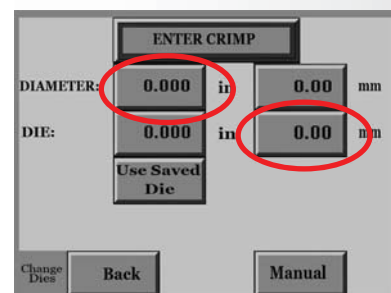
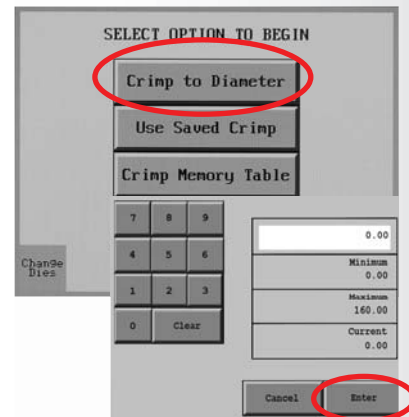
Decimal point entry:

For 1.56 inch entry, enter 1560 (Controller supplies 3 places for entries in inches).

For a 50.0 mm entry, enter 5000 (Controller will supply 2 decimal places for entries in mm).

- Enter the finished crimp diameter and press **ENTER**.
- From the **ENTER CRIMP** screen, press the **MANUAL** button to put the crimper in manual mode.
- Confirm that the die and finished crimp diameters are correct and that **MANUAL MODE** is displayed.
- Press and hold the green **CLOSE** button until the crimper stops closing.
- Check the final crimp diameter. If a minor correction is required see [HOW TO MAKE MINOR CORRECTIONS](#).

*Tip: Pressing the **CHANGE DIES** button allows the crimper head to be fully opened or closed with the green **OPEN-CLOSE** buttons on the controller front panel. When the **CHANGE DIES** button is blinking the dies can be opened and closed manually without altering any of the crimper settings.*



CC60 General Production Hose Crimper



AccuCrimp ACT™ CONTROL PANEL QUICK START

HOW TO MAKE MINOR CORRECTIONS

• Due to variations in hose and fitting tolerances a minor crimp adjustment may be required if the measured diameter of the final crimp is not within the hose and fitting manufacturer's specifications. ACT™ technology makes minor corrections a simple process which requires no addition or subtraction.

If the finished crimp diameter is not within the required specifications:

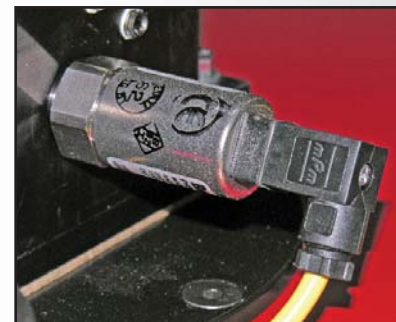
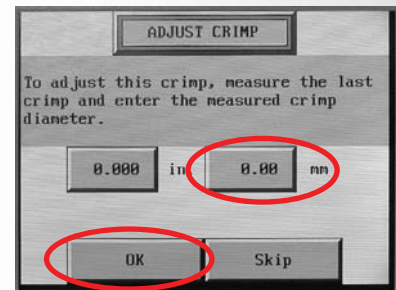
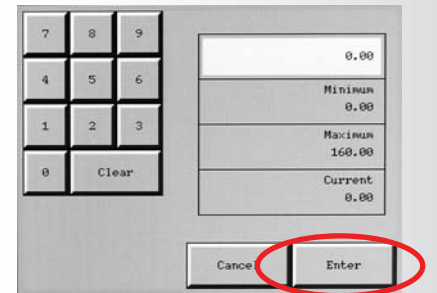
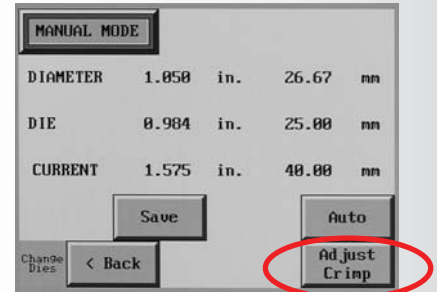
- Press the **ADJUST CRIMP** button.
- Enter the measured diameter of the fitting in either inches or mm (**Do not enter the amount of correction**) and press **ENTER**.
- Press **OK**.
- Make another crimp and verify that the fitting is within specifications.

EXAMPLE: *If the hose and fitting manufacturer specifies that the finished crimp should measure 1.500 to 1.520 and the measured crimp diameter was 1.530, simply enter the measured diameter (1530 - Controller will supply 3 decimal places) and press **SAVE**. The finished crimp diameter can be entered in either in or mm and ACT™ will make the conversion.*

While a single correction will usually bring the hose and fitting into specifications, the process can be repeated as many times as is required.

PATENTED ACT™ TECHNOLOGY

On crimpers equipped with ACT™ controllers the sensors which sense the position of the dies are supplemented by a pressure transducer which senses the "effort" required to make a crimp and compensates for variations in hose and fitting combinations. This unique feature means that the operator can enter the finished crimp diameter and will seldom, if ever, have to enter an offset to achieve the correct finished crimp diameter.





AccuCrimp ACT™ CONTROL PANEL QUICK START

HOW TO ADD A SAVED DIE

Up to 50 different dies can be saved in the computer memory. These dies can be recalled in the set up process eliminating the need to re-enter the die size each time.

To enter a saved die:

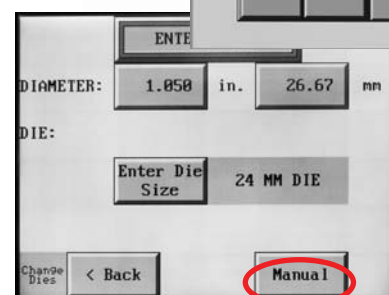
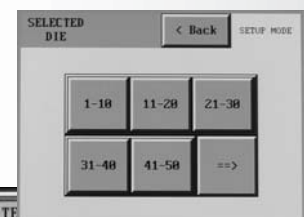
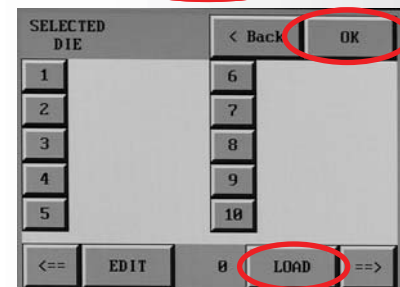
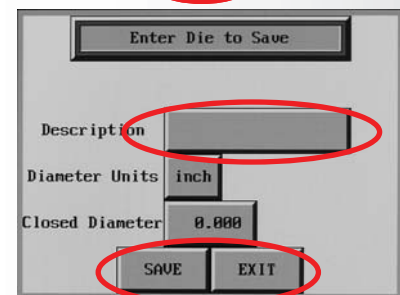
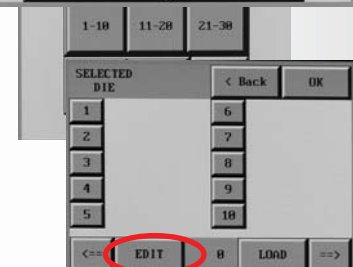
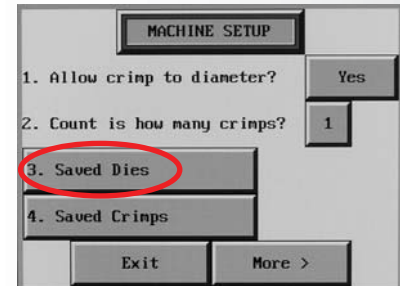
- From the **OPTION** screen, press **SETUP MODE**.
- Select **SAVED DIES**.
- Select the save position (1-50) where the die is to be saved and press the **EDIT** button.
- Enter a die description (up to 12 alpha/numeric characters).
- Enter diameter units (inch or metric).
- Enter the closed diameter of the die.
- Press **SAVE** and **EXIT**.
- The saved die will now appear on the **SELECTED DIE** screen. From this screen individual dies can be cleared or edited.

HOW TO RECALL A SAVED DIE

- Select **CRIMP TO DIAMETER**, and from the **OPTION** screen, select **USE SAVED DIE**.
- Select the saved die (1-50) and press **LOAD** and then **OK**. The die parameters will now be used for the crimp process.

From the **ENTER CRIMP** screen press **MANUAL**.

- The saved die will now be shown on the crimp parameters screen.



CC60 General Production Hose Crimper



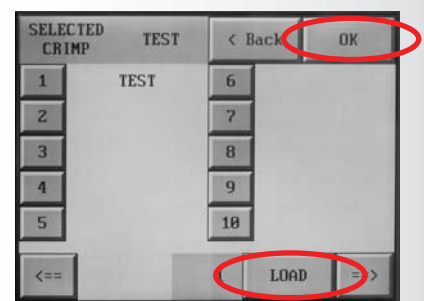
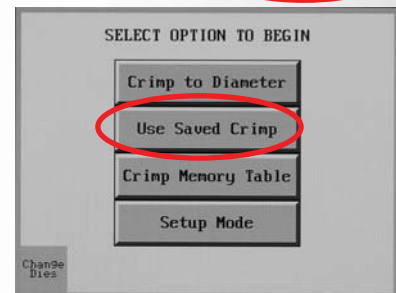
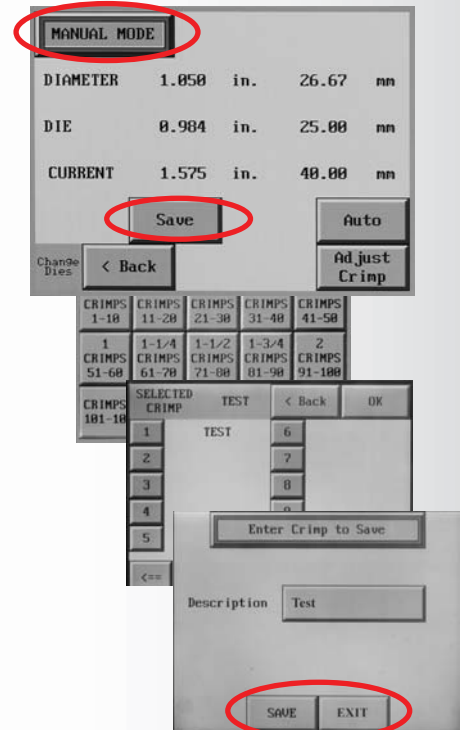
AccuCrimp ACT™ CONTROL PANEL QUICK START

HOW TO ADD A SAVED CRIMP

- Adjust the die diameter and crimp diameter as required and place the crimper in **MANUAL** mode.
- Press **SAVE**.
- Select a location (1-100) and press **EDIT**.
- Enter a description (up to 12 characters).
- Press **SAVE** and **EXIT**.
- The die and crimp setting can now be recalled from the saved location as required.

TO RECALL SAVED CRIMP

- Select **USE SAVED CRIMP** from the option screen.
- Select a previously saved crimp from location 1-100.
- Press **LOAD**.
- Press **OK**.
- The saved crimp will appear on the manual screen.



CC60 General Production Hose Crimper



AccuCrimp ACT™ CONTROL PANEL QUICK START

FULL AUTO MODE

With the crimper in **FULL AUTO** mode additional functions are available:

- The crimper will cycle automatically from the **CRIMP** button on the touch screen, the green **CYCLE START** button on the panel, or the foot switch.
- To set the position to which the dies will retract, close the crimper to the desired retract position prior to pressing the **FULL AUTO** button.

Note: The retraction position must be set a minimum amount above the finished crimp diameter or the crimper will not retract. The minimum retraction diameters are:

- CC38 - Crimp Diameter plus 2 mm
- CC4-50 - Crimp Diameter plus 2 mm
- CC60 - Crimp Diameter plus 3 mm

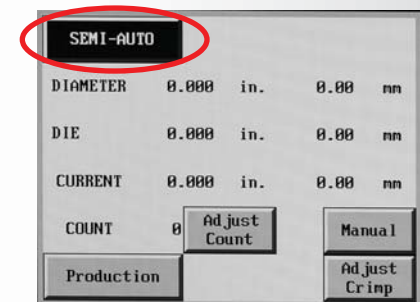
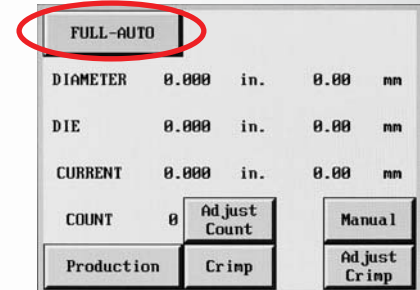
- Pressing the **FULL AUTO** button will toggle the crimper into **SEMI-AUTO** mode. In **SEMI-AUTO** mode, pressing the **FOOT SWITCH** or the **CLOSE** button will close the crimper head and releasing it will cause the head to stop closing. This mode allows the crimper to be jogged into position allowing more precise positioning of a fitting in the dies. Pressing the **SEMI AUTO** button will toggle the crimper back to **FULL AUTO** mode

In **FULL AUTO** mode pressing the foot switch will start the crimp cycle and the dies will stop closing when the crimp cycle is complete.

- The **COUNT** function is activated allowing the operator to monitor the number of crimps made.
- A measurement can be required after a preset number of crimps. See **SET REQUIRED MEASUREMENT**

SET REQUIRED MEASUREMENT

- Press the **PRODUCTION** button.
- Determine if 1 or 2 crimps will count as a crimp
- Toggle the **CRIMP ADJUSTMENT REMINDER** to **ON**.
- Set the **COUNTS BETWEEN CRIMP MEASUREMENTS** to the desired number and press **OK**.
- At the set interval, the **ADJUST CRIMP** screen will come up and the operator will be asked to measure the last crimp and enter a correction if required.



CC60 General Production Hose Crimper

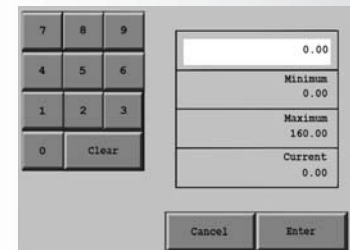
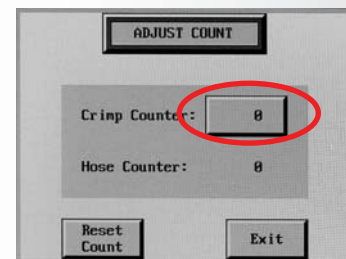
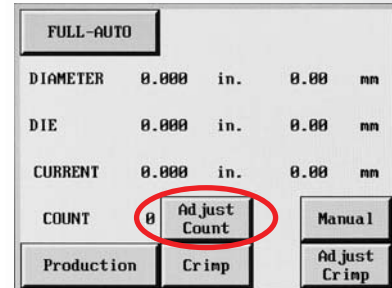


AccuCrimp ACT™ CONTROL PANEL QUICK START

ADJUST CRIMP COUNT

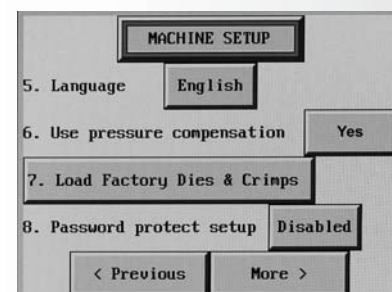
If a production operation is interrupted for some reason, it is possible to reset the counter to where the operation was at the point of interruption.

- Press the Adjust Count button from the auto crimp screen.
- Press the Crimp Counter and reset the count to the desired point.



ACT™ ADDITIONAL FEATURES

- Additional features and functions of the ACT™ controller can be accessed by pressing the **MORE** button on the **MACHINE SET UP** screen.
- When “Allow Crimp to Diameter” is set to “**YES**”, all of the adjustment functions of the crimper are available. When “Allow Crimp to Diameter” is set to “**NO**” only the settings entered as a saved crimp can be used.
- English or Spanish language options are available.
- The “Use Pressure Compensation” is set to “**YES**” for all crimpers equipped with a pressure transducer. A security code is required to turn this function on or off.



CC60 General Production Hose Crimper



AccuCrimp ACT™ CONTROL PANEL QUICK START

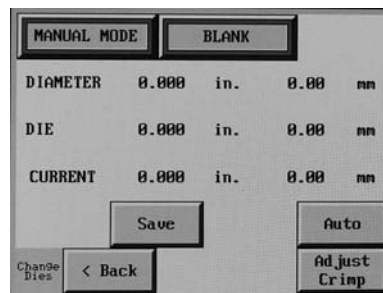
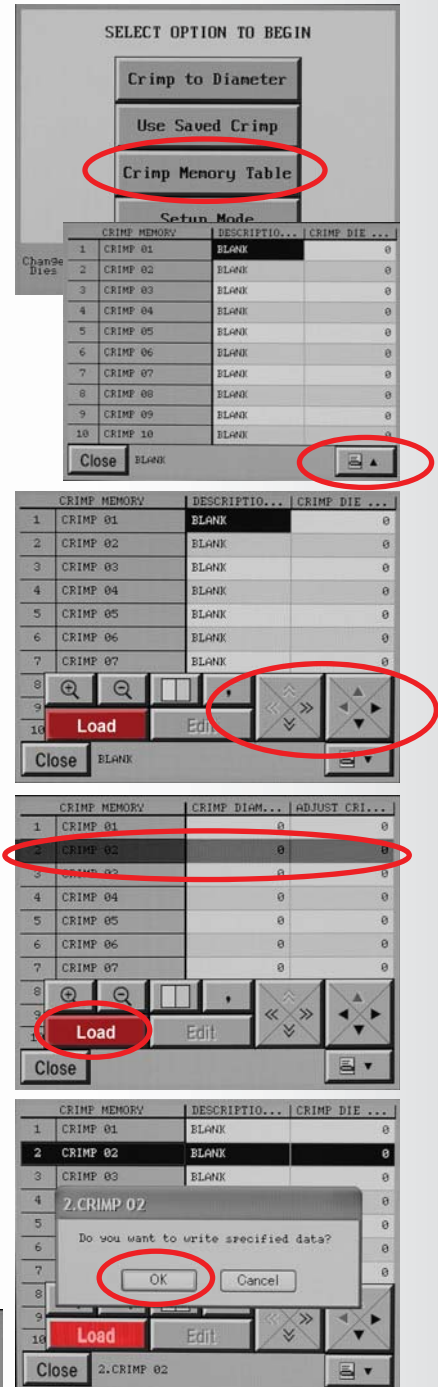
ACT™ ADDITIONAL FEATURES

Pre-Loaded Crimp Specifications

In addition to the ability to store up to 50 user entered dies and 150 user entered crimp settings, the ACT™ Controller has the capability of accepting pre loaded manufacturer's crimp specifications.

CustomCrimp® does not maintain these specifications as they are proprietary to the individual hose and fitting manufacturer. If, however, your ACT™ Controller was pre loaded with a manufacturer's crimp specifications or if they are available to you, they are accessed in the following manner:

- Press the Crimp Memory Table Button.
- Press the access button to bring up the stored crimp specifications.
- Scroll through the crimp specifications to select the correct one. The right hand rocker button moves through the crimp specs one line at a time and the left hand rocker button moves one screen at a time.
- When the correct crimp specification is selected, press the highlighted selection and then the Load button and select OK to write the data to the ACT™ Controller.
- This will bring up the familiar crimp screen and the crimper can then be operated in the normal manner.



CC60 General Production Hose Crimper



DIE SET UP AND INSTALLATION

84S, 99S, and 130S series dies are available for the CC4-50 Crimper. (84S series dies have an 84mm O.D. etc).

A set of 130mm O.D. to 99mm I.D. Intermediate Dies is furnished with the CC60 crimper. The Master Dies in the CC4-50 Crimper have an I.D. of 130mm.

The I.D. of the intermediate die must match the O.D. of the hydraulic die or accurate crimps are not possible.

INDUSTRIAL DIE INSTALLATION INTERMEDIATE ADAPTER DIE INSTALLATION

Turn on the crimper at the master power switch (See AccuCrimp Controller Instructions) and go to Manual mode.

Bring the master dies to the full open position as shown in photo A, or to the position where the die removal tool can be inserted to release the retaining spring.

Insert the die removal tool in the release hole to release the retaining spring as shown in photo B.

Attach either an Intermediate Adapter Die or an Industrial Die to the Master Die as shown in photo C.

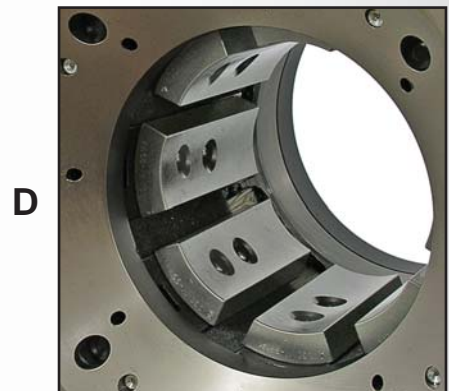
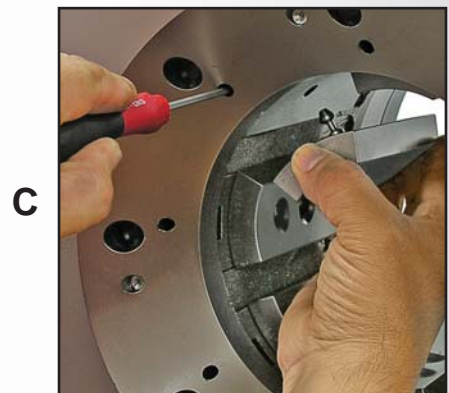
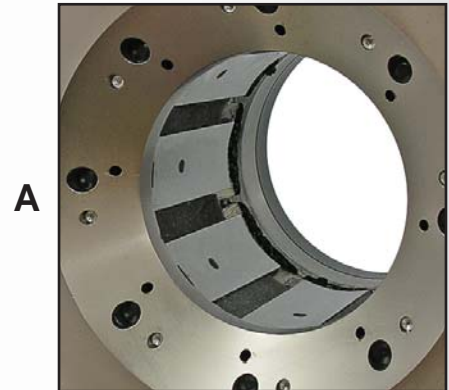
Note: The numbers stamped on the face of the die should face the operator.

Note that on some crimpers the master dies must be slightly closed in order to completely insert the die removal tool.

Mount all 8 dies in a similar manner as shown in photo D.

If 130mm O.D. Dies are being used, proceed to the AccuCrimp Operating instructions and set up the crimper for the correct crimp diameter.

If Hydraulic Dies are being used, see Hydraulic Die Installation instructions.



CC60 General Production Hose Crimper



HYDRAULIC DIE INSTALLATION

Install Intermediate Adapter Dies as shown previously making certain that the Intermediate Adapter Die I.D. matches the Hydraulic Die O.D.

Bring the crimper head to fully opened position as shown in photo A.

Install the Hydraulic Dies with the quick change tool as shown in photo B.

Note: The die size stamped on the face of the die should face toward the operator.

Align the studs of the Hydraulic Dies with the holes in the Adapter Dies and SLOWLY close the crimper head on the die set as shown in photo C.

Bring the crimper head to a fully closed position as shown in photo D.

Remove the quick change tool as shown in photo E.

Note: The dies may also be inserted manually with the crimper head in the fully open position.

Proceed to the Crimping Instructions to set up the crimper for the hose and fitting being crimped.

For Hydraulic Die removal, bring the crimper head to the fully closed position.

Insert the quick change tool and open the crimper head releasing the Hydraulic Dies from their spring retention holes.

*Press the **CHANGE DIES** button on the controller to easily open and close the master dies without affecting crimper settings.*

A



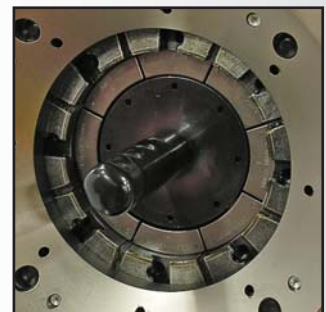
B



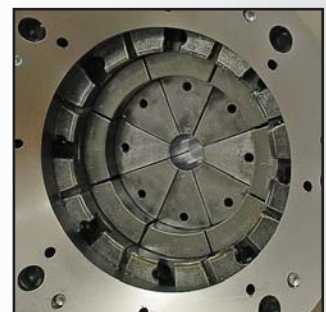
C



D



E



CC60 General Production Hose Crimper



AccuStop™ COUPLING STOP

The AccuStop™ coupling stop eliminates guesswork allowing the operator to visually observe exactly where the crimp will be positioned on the fitting without the need for trial and error and product scrap due to poor crimp positioning.

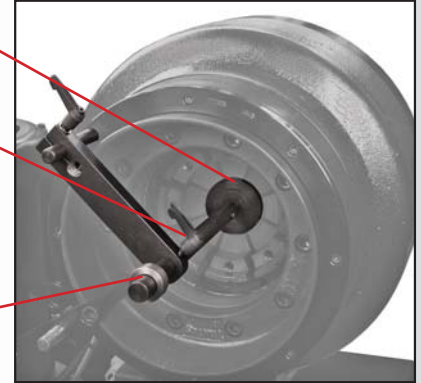
With the Coupling Stop retracted, load the appropriate set of dies and set crimp diameters as required.

With the crimper in the **MANUAL** mode, bring the dies to a fully closed position.

Coupling Stop

Coupling Stop Clamp

Coupling Stop Guide



Loosen the Coupling Stop Clamp and position the Coupling Stop against the back face of the dies.



Slide the Coupling Stop Guide against the Coupling Stop Arm.



Hold the fitting against the Coupling Stop Arm withdraw the Coupling Stop Rod such that the Guide is aligned with the desired crimp position. Lock the Coupling Stop Clamp.



Position the fitting against the Coupling Stop and actuate the crimper in the normal manner.



The dimension from the face of the fitting to the crimp position will now be the dimension established in the previous step.



An electronic Coupling Stop is available. Set up is identical, but when the fitting touches the Coupling Stop, the crimp cycle will start automatically.

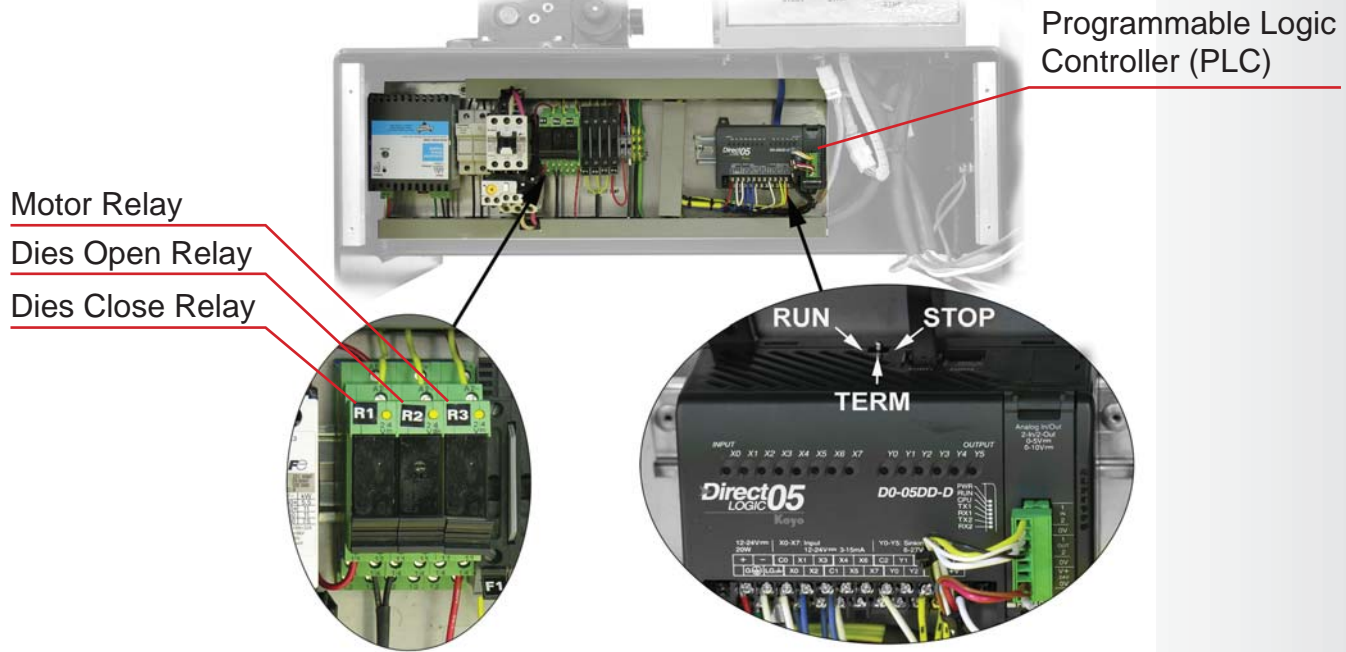
CAUTION: When using an electronic Coupling Stop, disconnect it from the controller prior to setup. Failure to do so will cause the crimper to actuate during the set up process.

CC60 General Production Hose Crimper



PLC RESET / RELAY REPLACEMENT

Electrical Panel (Front Cover Removed)



The PLC (Programmable Logic Controller) requires a relatively constant source of electrical power. Power surges, outages or drops in power can cause the PLC to lose its settings. This may result in missing or misplaced information on the controller screen.

Resetting the PLC to its original settings is a simple procedure

- Turn the main power switch to OFF.
- Remove the 4 screws holding the front panel in place and set the panel aside without disconnecting any wires.
- Power up the crimper from the main power switch. The crimper must be powered on during the PLC reset procedure.
- Move the three position toggle switch on top of the PLC right to the STOP position and then left to the RUN position.
- Return the toggle switch to the center TERM position.
- Turn the main power switch to OFF and replace the front panel.
- The PLC and the crimper should now operate normally.

Relay Replacement

- There are 3 relays which control the motor operation and dies open and dies close functions of the crimper. If one of these functions is inoperable these relays can be replaced.
- If the pilot light adjacent to the “R1”, “R2”, and “R3” is lit and the function does not operate. This indicates that the relay is receiving power but not performing its function.
- All 3 relays are identical and interchangeable.



TROUBLESHOOTING

PROBLEM: CRIMPER WILL NOT RUN AT ALL

- Check the E-Stop switch to be certain that it is not depressed. A slight twist is required to release switch after it has been depressed.
- PLC (Programmable Logic Control) must be reset. See instructions on the following page.

PROBLEM: CRIMPER RUNS BUT IS SLOW OR NON-FUNCTIONAL

- Check supply voltage to see that it matches the voltage specified on the tag attached to the crimper. *Many performance problems are the result of low voltage or inadequate electrical service.*
- Check motor rotation and be certain that the motor rotates in the direction of the arrow on the motor housing. For three phase units rotation can be reversed by switching any two wires in the plug.

PROBLEM: CRIMPER WILL CLOSE ON FITTING BUT DOES NOT DEVELOP POWER TO COMPLETE THE CRIMP

- Fitting is too large for selected crimp die. Select a crimp die that is closer to final crimp diameter. Machine has built-in safety bypass to protect internal components from damage due to incorrect die selection.
- Check oil level. Position dies to the fully open position and check oil sight gage in rear of machine. Be sure the oil level is in the middle of the sight glass. Use ISO 32 or 46 weight hydraulic oil.

PROBLEM: CRIMPER WILL NOT OPEN TO RETRACT POSITION IN AUTO MODE

- Retract position must be at least 3 mm larger than the final crimp diameter.

If problem(s) persist contact Customer Service for additional troubleshooting assistance

CC60 General Production Hose Crimper



CC60 REPLACEMENT ACCESSORIES



6" Touch Screen Panel
P/N:102600-ACT



CC-Foot Switch
P/N:CC-FOOTSWITCH



99mm Quick Change Tool
P/N:102571



Intermediate Die Removal Tool
P/N:5691A13



Electronic Back Stop
P/N:EBS-60



Manual Back Stop
P/N:MBS-60



Die Rack 9 Station Die Holders
P/N:102616-99mm



Crimper Stand 16 Station
Die Holders
P/N:101247-99



Mini Grease Gun w/ CRIMPX Die
Lubricant 3 oz mini grease tube
P/N:103889



CRIMPX Die Lubricant 3 oz mini
grease tube P/N:103887



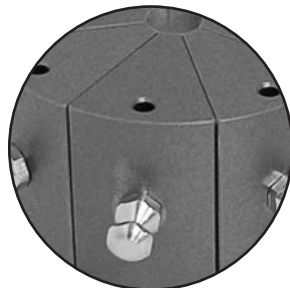
CRIMPX Die Lubricant 14 oz
large grease tube P/N:103888



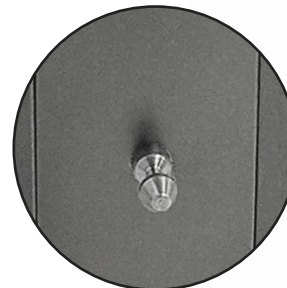
Protective Master Die Foam Pad
P/N:102530



Adapter Die Set 145mm OD to
99mm ID P/N:103726



Die Lock Pin For 84S/99S Die
Series P/N:101582



Die Lock Pin For 130S/145S
Die Series P/N:101403

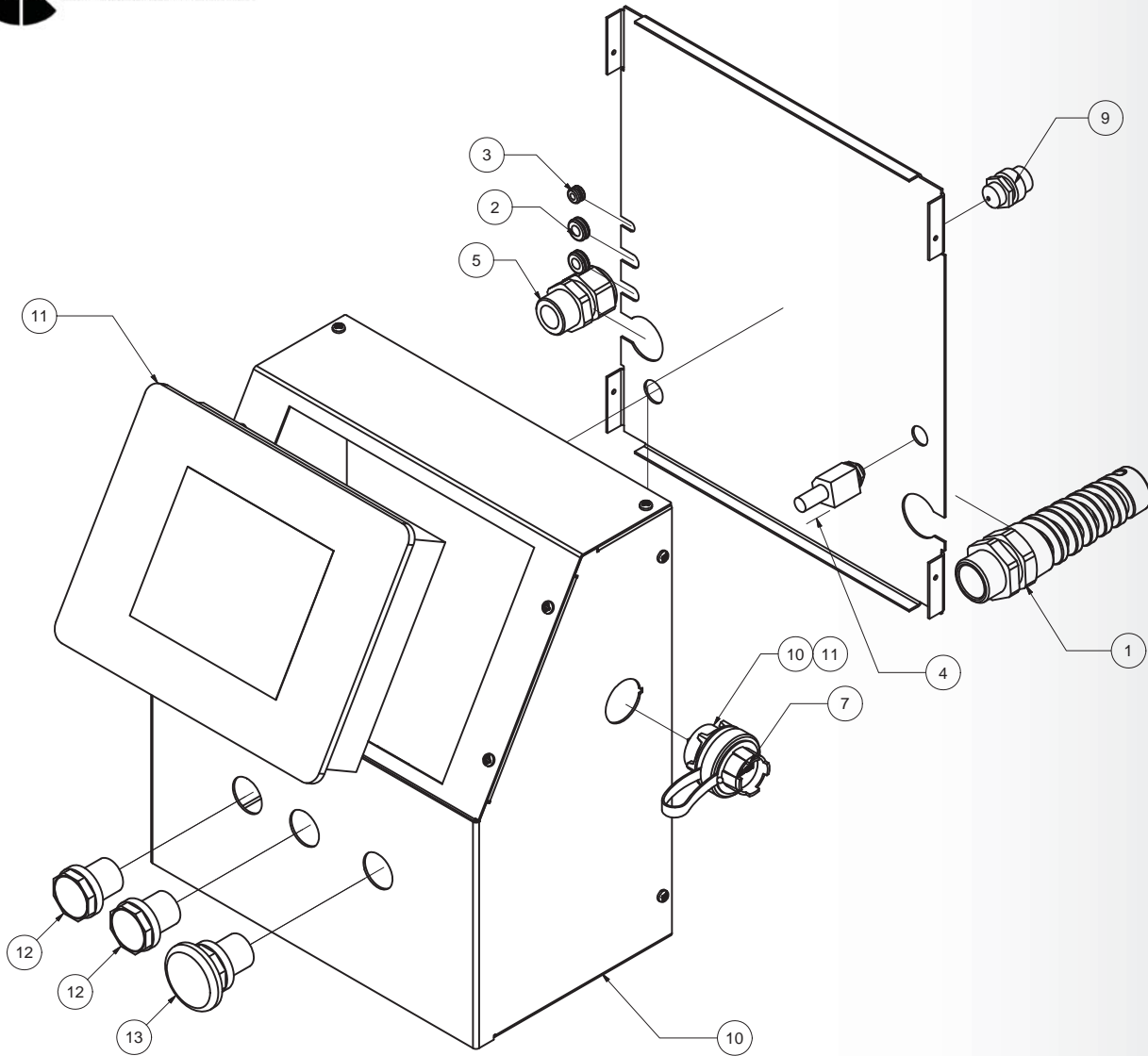


CustomCrimp® Notched Digital
Caliper IN/MM P/N:CC-Caliper

CC60 General Production Hose Crimper



COMPONENT PARTS BREAKDOWN

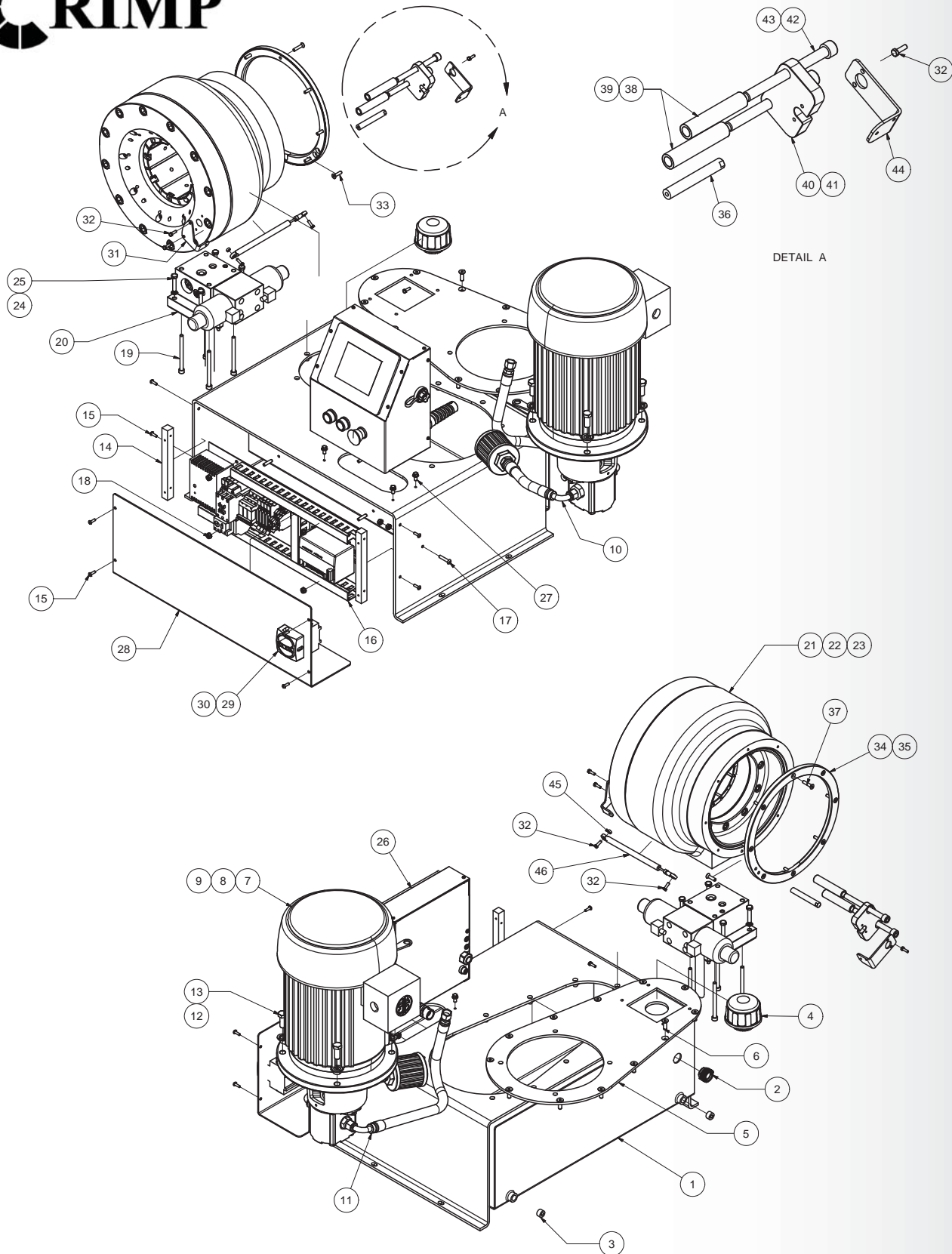


| Touch Panel Housing Assembly (102633) | | | |
|---------------------------------------|--------------|----------------------------------|-----|
| ITEM | PART NUMBER | DESCRIPTION | QTY |
| 1 | 69915K65 | 3/4" NPT Straight Flex Cord Grip | 1 |
| 2 | 9600K24 | Grommet - 1/4" | 2 |
| 3 | 9600K11 | Grommet - 1/8" | 1 |
| 4 | 103874 | Foot Pedal Jack W/Nut | 1 |
| 5 | 69915K57 | 1/2" NPT Cord Grip | 1 |
| 6 | 90935A240 | #10 Sheet Metal Screw | 10 |
| 7 | 103792 | USB Connector | 1 |
| 8 | 4974T7 | USB Cable | 1 |
| 9 | 6897K38 | Receptacle | 1 |
| 10 | 102508-BT | Touch Panel Housing Assembly | 1 |
| 11 | EA7-S6M-R | 6" Touch Screen Text Panel | 1 |
| 12 | 101545-GREEN | Green Push Button | 2 |
| 13 | 101545-RED | Emergency Stop Button | 1 |

CC60 General Production Hose Crimper



COMPONENT PARTS BREAKDOWN



CC60 General Production Hose Crimper



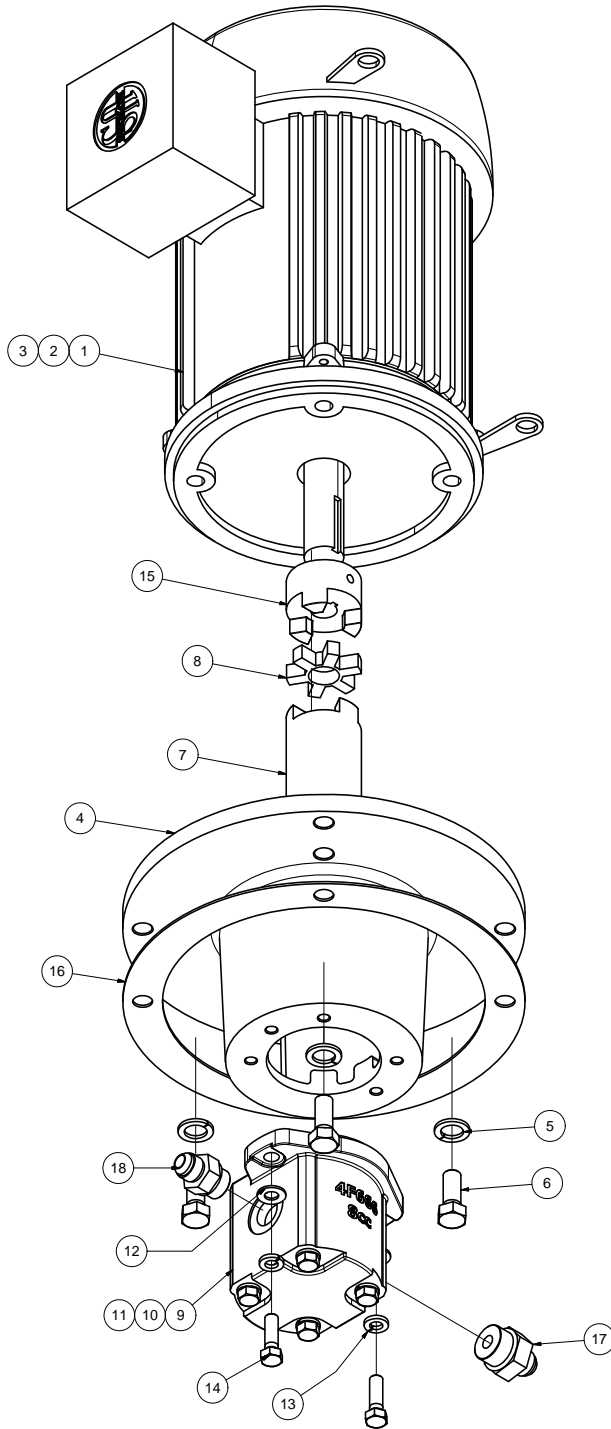
COMPONENT PARTS BREAKDOWN

| Crimper Assembly - CC38 (101547) / CC4-50 (101832) / CC60 (101551) | | | |
|--|---------------|---|-----|
| ITEM | PART NUMBER | DESCRIPTION | QTY |
| 1 | 102618-WELD | CC Crimper Reservoir | 1 |
| 2 | 103049 | Sight Glass | 1 |
| 3 | 4534K43 | 3/8-18 NPTF Hex Socket Pipe Plug | 2 |
| 4 | 103048 | Venter Filler Cap | 1 |
| 5 | 102618-03 | CC Reservoir Top Plate | 1 |
| 6 | 91253A583 | 5/16-18 x 1 FHCS | 12 |
| 7 | 101714-7.5-11 | 7.5 HP/3 Ph/11cc Motor and Pump Assembly | 1 |
| 8 | 101714-5-8 | 5HP Motor/8cc Pump Assembly | 1 |
| 9 | 101714-10-14 | 10HP Motor/14cc Pump Assembly | 1 |
| 10 | 101733 | Suction Strainer Hose Assembly | 1 |
| 11 | 101734 | Output Hose Assembly | 1 |
| 12 | 91101A033 | 1/2 Lock Washer | 4 |
| 13 | 92865A714 | 1/2-13 x 1 1/4" Hex Bolt | 4 |
| 14 | 102303 | Front Electrical Panel Bracket | 2 |
| 15 | 91255A244 | #10-24 x 5/8 BHCS | 8 |
| 16 | *Sub-Assembly | Assembled Electrical Board | 1 |
| 17 | 91255A544 | 1/4-20 x 1 1/4 BHCS | 1 |
| 18 | 90675A029 | 1/4-20 Nut with Tooth Washer | 6 |
| 19 | 91290A468 | M8 x 100mm SHCS | 4 |
| 20 | 102523 | Assembled Manifold Block | 1 |
| 21 | 102800 | CC-60 Head Assembly | 1 |
| 22 | 102513 | CC-450 Head Assembly | 1 |
| 23 | 102594 | CC-38 Head Assembly | 1 |
| 24 | 91106A131 | M8 Internal Tooth Lock Washer | 4 |
| 25 | 91310A542 | M8 x 40mm Hex Bolt | 4 |
| 26 | 102633 | CC Tower w/ Touch Panel | 1 |
| 27 | 92323A512 | 1/4-20 x 1/2 SHFCS | 4 |
| 28 | 102302 | Front Electrical Cover Panel | 1 |
| 29 | 103050 | 50 Amp Disconnect Switch | 1 |
| 30 | 103051 | 63 Amp Disconnect Switch | 1 |
| 31 | 101687 | Potentiometer Mounting Plate | 1 |
| 32 | 91280A226 | M5 x 16mm Hex Bolt | 6 |
| 33 | 91253A542 | 1/4-20 x 1 FHCS | 1 |
| 34 | 102500 | CC-60/450 Rear Face Ring | 1 |
| 35 | 102471 | CC-38 Rear Face Ring | 1 |
| 36 | 101689 | Anti-Rotation Guide Pin | 1 |
| 37 | 6DU67 | M6 x 30mm FHCS | 1 |
| 38 | 101688_04 | CC-60/450 Potentiometer Bracket Standoff | 2 |
| 39 | 101790_02 | CC-38 Potentiometer Bracket Standoff | 2 |
| 40 | 102980 | CC-60/450 Potentiometer Bracket Base | 1 |
| 41 | 102982 | CC-38 Potentiometer Bracket Base | 1 |
| 42 | 91290A649 | M12 x 130mm SHCS (CC-60/450) | 2 |
| 43 | 6DE37 | M10 x 120mm SHCS (CC-38) | 1 |
| 44 | 102981 | CC-60/450/38 Potentiometer Bracket Flange | 1 |
| 45 | 102817 | CC-60 Potentiometer Stand Off | 1 |
| 46 | 101719 | Potentiometer | 1 |

CC60 General Production Hose Crimper



COMPONENT PARTS BREAKDOWN



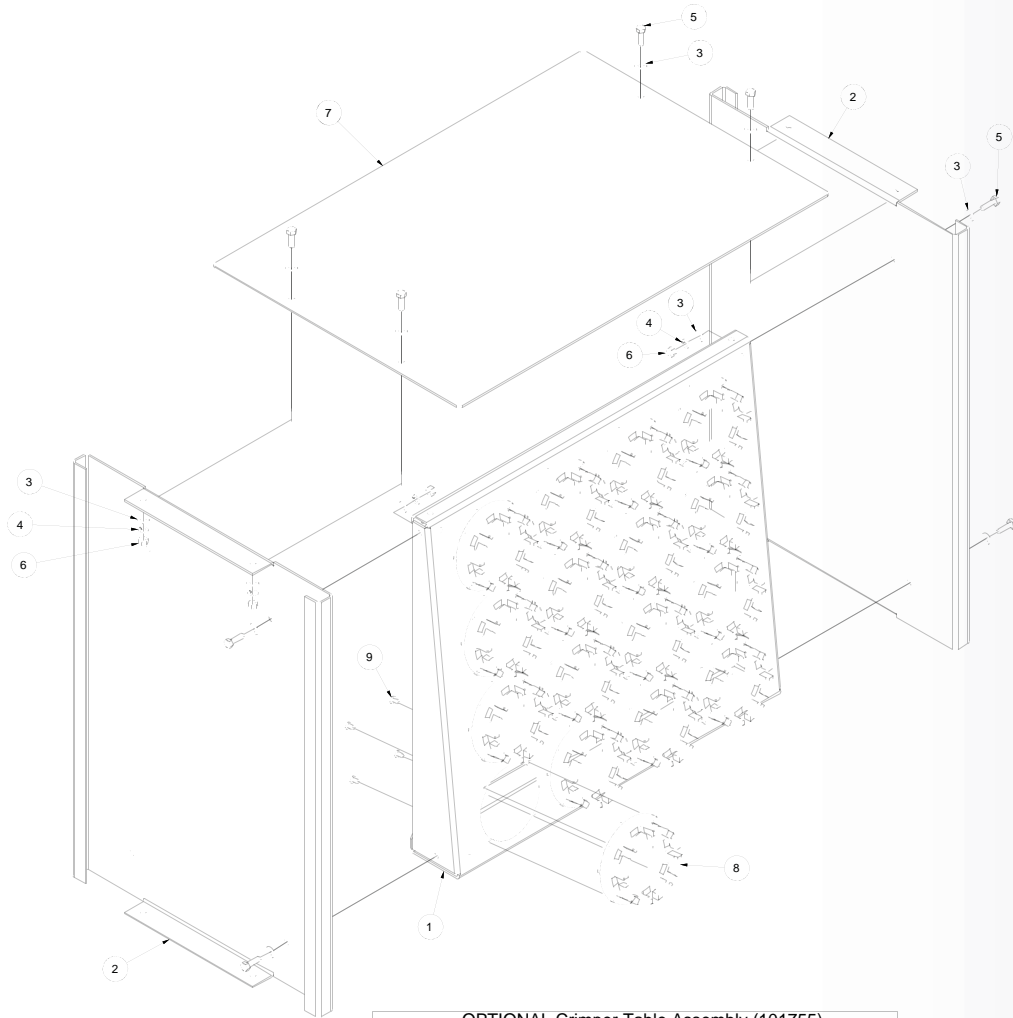
| CC Motor and Pump Assembly (101714) | | | |
|-------------------------------------|-------------|------------------------------|-----|
| ITEM | PART NUMBER | DESCRIPTION | QTY |
| 1 | 101541 | 5 HP 1800 RPM Motor | 1 |
| 2 | 101540 | 7.5 HP 1800 RPM Motor | 1 |
| 3 | 102994 | 10 HP 1800 RPM Motor | 1 |
| 4 | 101539 | Motor Mounting Flange | 1 |
| 5 | 91101A033 | 1/2 Lock Washer | 4 |
| 6 | 92865A714 | 1/2-13 x 1 1/4" Bolt | 4 |
| 7 | 101543-01 | Motor Coupling | 1 |
| 8 | 101543-03 | Coupling Spider Insert | 1 |
| 9 | 101713 | 8cc Gear Pump | 1 |
| 10 | 101542 | 11cc Gear Pump | 1 |
| 11 | 102992 | 14cc Gear Pump | 1 |
| 12 | 98023A31 | 3/8 Washer | 2 |
| 13 | 91102A031 | 3/8 Lock Washer | 2 |
| 14 | 92865A626 | 3/8-16 x 1 1/4" Bolt | 2 |
| 15 | 101543-02 | 3/4" Shaft Coupling | 1 |
| 16 | 101539-01 | Flange Gasket | 1 |
| 17 | 6400-8-12 | 8 JIC 37 M to 12 SAE Adapter | 1 |
| 18 | 6400-8-10 | 8 JIC 37 M to 10 SAE Adapter | 1 |

FINAL ASSEMBLY PART NUMBER CREATION:
 101714-"MOTOR HP"-"PUMP SIZE"-"PHASE (IF REQ'D)"
 EX. 7.5 HP MOTOR WITH 11cc PUMP: 101714-7.5-11
 EX. 5 HP MOTOR WITH 8cc PUMP, SINGLE PHASE: 101714-5-8-1

CC60 General Production Hose Crimper



COMPONENT PARTS BREAKDOWN



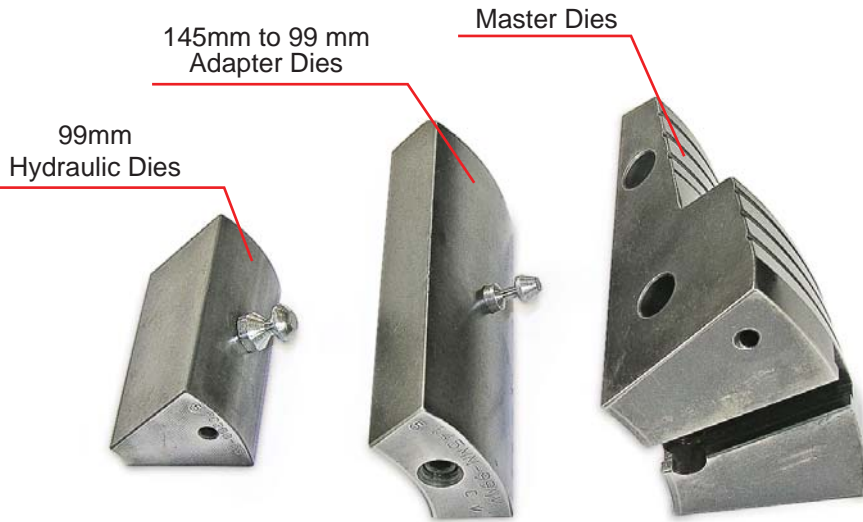
OPTIONAL Crimper Table Assembly (101755)

| Item | Part Number | Description | Qty |
|------|-------------|----------------------|-----|
| 1 | 101244 | Die Panel | 1 |
| 2 | 101246 | End Panel | 2 |
| 3 | 90108A030 | 5/16 Flat Washer | 16 |
| 4 | 91102A030 | 5/16 Lock Washer | 8 |
| 5 | 92865A581 | 5/16-18 X 1 Hex Bolt | 8 |
| 6 | 95462A030 | 5/16-18 Hex Nut | 8 |
| 7 | 101754 | Crimper Table Top | 1 |
| 8 | 101242 | 99MM Die Holder | 16 |
| 8 | 101243 | 84MM Die Holder | 16 |
| 9 | 91255A535 | 1/4-20 X 3/8 BHCS | 64 |

CC60 General Production Hose Crimper



CC60 DIE PART IDENTIFICATION

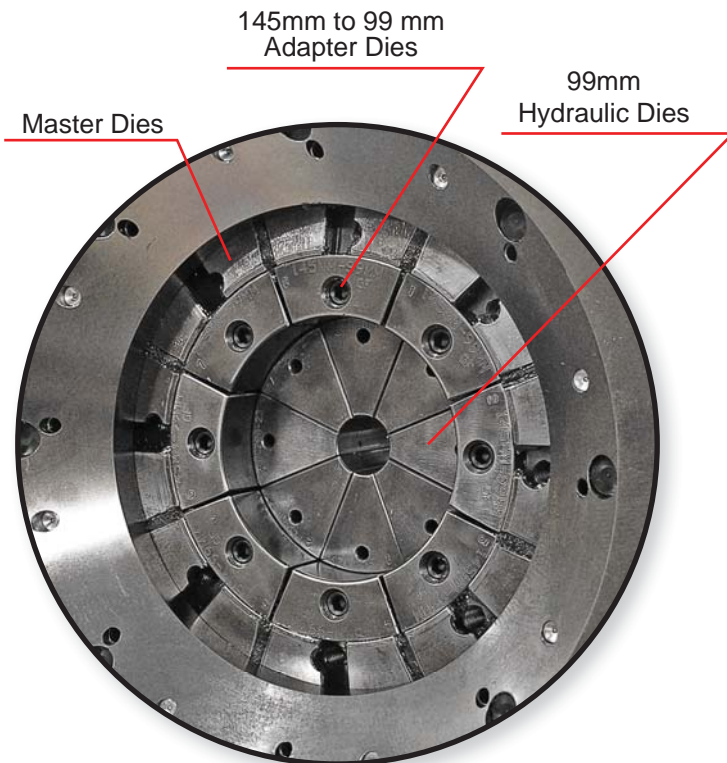


Master Dies Accept:

- 145/99mm Adapter Dies; or
- 145S Series Dies (84 - 126mm (3" - 4"))

145/99 Adapter Dies Accept:

- 99S Series Dies (8.5 - 78mm (1/4" - 2 1/2"))



• Available Die Retaining Studs:



P/N: 101582



P/N: 101403

CC60 Preventative Maintenance Package



CustomCrimp®'s preventative maintenance program is an annual service which keeps your crimper cleaned, calibrated, and running in peak performance. This service includes the cleaning of main wear components, inspection of wear components and seals, and calibration of your crimper. Prevent downtime with this economical service package performed at your facility.



CC60 PREVENTATIVE MAINTENANCE PACKAGE INCLUDES:

- Inspection and Cleaning of Cylinder Body.
- Inspection and Cleaning of Cylinder Piston.
- Inspection and Cleaning of Cylinder Master Dies.
- Inspection and Cleaning of Cylinder Front Plate.
- Inspection and Cleaning of Cylinder Master Die T-Nuts.
- Inspection and Cleaning of Adapter Dies.
- Inspection and Cleaning of Oil Bypass System.
- Inspection of Cylinder Seals.
- Inspection of Piston Cap.
- Inspection of Potentiometer Bracket Assembly.
- Inspection of Electrical Components.
- Replacement of Master Die Springs.
- Replacement of Protective Foam Pads.
- Crimper Care Package (Die Studs, Quick Change Tool Pins, Grease Gun, Screen Protector).
- Oil Change (If customer provides oil, and disposal of used oil).
- Update of ACT Controller software (if needed).
- New Grease Applied on All Wear Surfaces.
- Crimper Calibration.
- Written Crimper Documentation Report.

CC60 Preventative Maintenance Package



We understand how critical it is to have your crimpers running everyday and limiting downtime. We hope that our services will help eliminate downtime, shipping costs, and uncertainty of when your machine will be fixed. Please feel free to search our website and contact us with any questions.

DURABLE, RELIABLE DESIGN = PROFITABILITY

- Annual service prevents crimpers downtime.
- Save money on multiple crimpers at one location.
- Written report showing crimpers current condition and future needs.

Inspection & Cleaning of Cylinder Body & Piston

Inspection & Cleaning of Cylinder Master Dies

Inspection & Cleaning of Cylinder Front Plate & Master Die T-Nuts

Inspection & Cleaning of Adapter Dies

Inspection & Cleaning of Oil Bypass System

Inspection of Cylinder Seals & Piston Cap

Inspection of Potentiometer Bracket Assembly

Inspection of Electrical Components

Replacement of Master Die Springs

Replacement of Protective Foam Pads

Inspection of Die Studs & Quick Change Tool Pins

Update of ACT™ Controller Software (If needed)

New Grease Applied on All Wear Surfaces

Crimper Calibration

Written Crimper Documentation Report

| INSPECTION: | | | |
|--|------------------------------|--------------|--|
| • Master die assembly wear and function: | EXCELLENT | LIMITED LIFE | |
| • Piston wear and function: | EXCELLENT | LIMITED LIFE | |
| • Piston seal and/or WB condition: | EXCELLENT | LIMITED LIFE | |
| • Cylinder body rust and condition: | EXCELLENT | LIMITED LIFE | |
| • Piston cap seal and/or WB condition: | EXCELLENT | LIMITED LIFE | |
| • T-nut tightness and function: | EXCELLENT | LIMITED LIFE | |
| PREVENTATIVE MAINTENANCE: | | | |
| • 102320 | CC-4-50 MASTER DIE SPRINGS | | |
| • 102320 | CC-4-50 FOAM PADS | | |
| • 102889 | CRIMPER GREASE GUN W/ NIPPLE | | |
| • VOL-4675 | 7.5 GALLON OIL KIT | | |
| • 102091 | CC SERIES SUCTION STRAINER | | |
| • VPS1000-1 | CC SERIES SCREEN PROTECTOR | | |
| • 102582 | HYDRAULIC DIE STUDS | | |
| | INTERMEDIATE DIE SIZE | | |
| | QUICK CHANGE | | |



See the complete line of CustomCrimp® Crimpers and Accessories at:

CustomCrimp®

www.customcrimp.com

(219) 462-6128



CUSTOMCRIMP® “NO-NONSENSE” WARRANTY STATEMENT



CustomCrimp® “No-Nonsense” Warranty Statement

All CustomCrimp® Products are warranted to be free of defects in workmanship and materials for one year from the date of installation. This warranty ends when the product becomes unusable for reasons other than defects in workmanship or material.

Any CustomCrimp® Product proven to be defective in workmanship or material will be repaired or replaced at no charge. To obtain benefits of this warranty, first, contact Warranty Repair Department at Custom Machining Services at **(219) 462-6128** and then deliver via prepaid transportation the complete hydraulic product to:

**ATTN: WARRANTY REPAIR DEPT.
Custom Machining Services, Inc.
318 North Co. Rd 400 East
Valparaiso IN 46383**

If any product or part manufactured by CustomCrimp® is found to be defective by CustomCrimp®, at its option, CustomCrimp® will either repair or replace the defective part or product and return via ground transportation, freight prepaid.

CustomCrimp® will not cover any incoming or outgoing freight charges for machines sold outside The United States.

This warranty does not cover any product or part which is worn out, abused, altered, used for a purpose other than for which it was intended, or used in a manner which was inconsistent with any instructions regarding its use.

Electric motors are separately warranted by their manufacturer under the conditions stated in their separate warranty.

CC60 General Production Hose Crimper



CONTACT US

CUSTOMCRIMP®, YOUR SINGLE SOURCE FOR HOSE ASSEMBLY PRODUCTS.

Products and services to support industry wide hose assembly needs.

CustomCrimp®
Custom Machining Services, Inc.
326 N. County Rd. 400 East
Valparaiso, IN 46383
Ph: (219) 462-6128
Fax: (219) 464-2773
www.customcrimp.com



CustomCrimp®

See the complete line of CustomCrimp® Crimpers and Accessories at:
www.customcrimp.com

(219) 462-6128